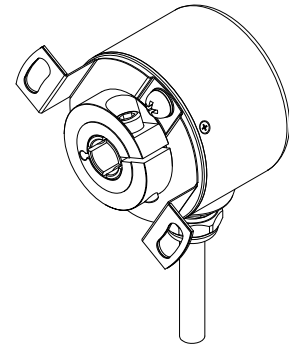


1. K38 Incremental Optical Encoder (Blind shaft/ through shaft)

1.1 Introduction:

K38 is a small economic universal design, compact, sturdy, high safety, and commonly used in industrial automations.

K38-T



1.2 Feature:

- Encoder external diameter $\varnothing 38\text{mm}$, thickness 38mm, diameter of shaft up to $\varnothing 8\text{mm}$;
- Ring locking structure;
- Adopt non-contact photoelectric principle;
- Reverse polarity protection;
- Short circuit protection;
- Multiple electrical interfaces available;
- Resolution per turn up to 32768PPR.

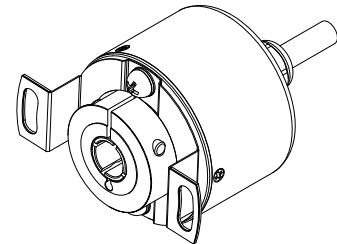
1.3 Application:

Textile, packaging, motor, elevator, CNC and other automation control fields.

1.4 Connection:

- Radial cable (standard length 1M)
- Axial cable (standard length 1M)

K38-Q



1.5 Protection:

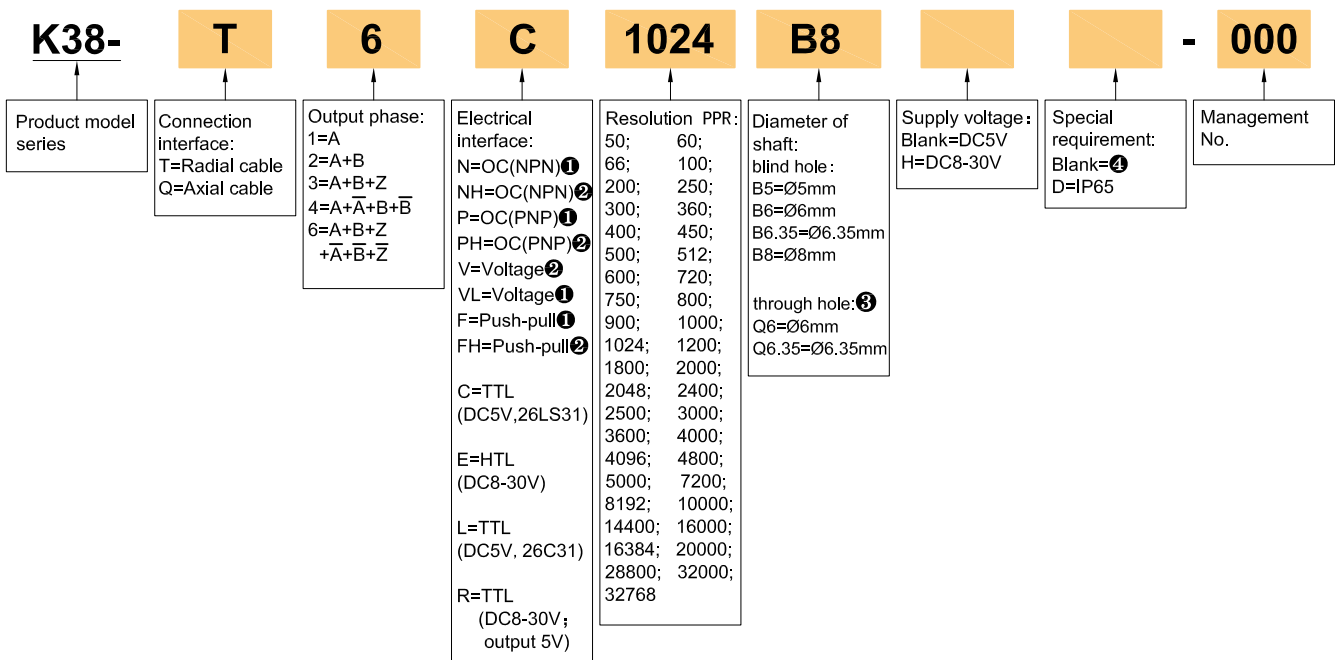
IP50 & IP65

1.6 Weight:

about 140g

2. Model Selection Guide

2.1 Model composition(select parameters)



2.2 Note

- Z signal is low level active.
- Z signal is high level active.
- Axial cable connection is not an option.
- None indicated for IP50 and cable length of 1M, if need to change the length C+number, the longest is 100M (expressed by C100). For the specific length of use, pls refer to page 2 of the provision of output circuit.

3. Output Mode

Electrical interface	Output circuit	Output wave form
<p>OC NPN open collector circuit</p>		<p>Phase A is ahead of B by $\frac{T}{4} \pm \delta$, viewing from shaft end, direction is clockwise rotation. (See dimensional drawings)</p> <p>CW direction \rightarrow</p> <p>Z signal is low level active</p>
<p>OC PNP open collector circuit</p>		<p>Z signal is high level active</p>
<p>Push-pull</p>		<p>Z signal is high level active</p>
<p>Voltage</p>		
<p>TTL (DC5V)</p> <p>HTL (DC8-30V)</p>		<p>Phase A is ahead of B by $\frac{T}{4} \pm \delta$, viewing from shaft end, direction is clockwise rotation. (See dimensional drawings)</p> <p>CW direction \rightarrow</p>

4. Electrical Characteristics

Parameter / Item	Output type	OC	Voltage	Push-pull	TTL	TTL	HTL
Supply voltage		DC+5V±5%; DC8V-30V±5%			DC+5V±5%	DC8-30V±5%	
Consumption current		100mA Max			120mA Max		
Allowable ripple		≤3%rms					
Top response frequency		100KHz			300KHz		500KHz
Output capacity	Output current	Input	≤30mA	Load resistance 2.2K	≤30mA	≤±20mA	≤±50mA
		Output	—		≤10mA		
	Output voltage	"H"	—	—	≥ $\left[\begin{matrix} \text{Supply voltage} \\ -2.5V \end{matrix} \right]$	≥2.5V	≥Vcc-3 Vbc
		"L"	≤0.4V	≤0.7V (less than 20mA)	≤0.4V(30mA)	≤0.5V	≤ 1V Vbc
Load voltage	≤DC30V		—	—			
Rise & Fall time		Less than 2us(cable length: 2m)			≤100ns	Less than 1us(Cable length: 2m)	
Insulation strength		AC500V 60s					
Insulation resistance		10MΩ					
Mark to space ratio		45% to 55%					
Reverse polarity protection		✓					
Short-circuit protection		—			✓❶		
Phase shift between A & B		90°±10° (frequency in low speed)					
		90°±20° (frequency in high speed)					
GND		Not connect to encoder					

❶ Short-circuit to another channel or GND permitted for max 30s.

5. Mechanical Specifications

Diameter of shaft	Ø5mm; Ø6mm; Ø6.35mm; Ø8mm (optional)
Starting torque	Less than $9.8 \times 10^{-3} \text{N}\cdot\text{m}$
Inertia moment	Less than $6.5 \times 10^{-6} \text{kg}\cdot\text{m}^2$
Shaft load	Radial 30N; Axial 20N
Slew speed	$\leq 6000 \text{ rpm (IP50)}$; $\leq 4000 \text{ rpm (IP65)}$
Bearing Life	1.5×10^9 revs at rated load(100000hrs at 2500RPM)
Shell	Aluminium alloy
Weight	about 140g

6. Environmental Parameters

Environmental temperature	Operating: $-20 \sim +90^\circ\text{C}$ (repeatable winding cable: -10°C); Storage: $-25 \sim +95^\circ\text{C}$
Environmental humidity	Operating and storage: 35~85%RH(noncondensing)
Vibration(Endurance)	Amplitude 0.75mm,5~55Hz,2h for X,Y,Z direction individually
Shock(Endurance)	490m/s^2 11ms three times for X,Y,Z direction individually
Protection	IP50 & IP65

7. Wiring table

7.1 OC/Voltage/Push-pull (Wiring table for cable connection)

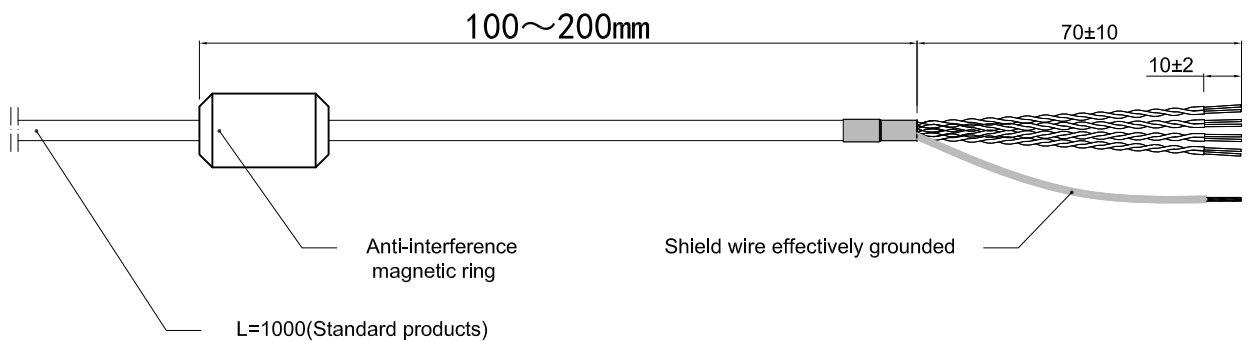
	Supply voltage		Incremental signal		
Wire color	Red	Black	White	Green	Yellow
Function	Up	0V	A	B	Z

7.2 TTL/HTL (Wiring table for cable connection)

	Supply voltage		Incremental signal					
Wire color	Red	Black	White	White/BK	Green	Green/BK	Yellow	Yellow/BK
Function	Up	0V	A+	A-	B+	B-	Z+	Z-
Twisted-paired cable								

Up=Supply voltage.
Shield wire is not connected to the internal circuit of encoder.

7.3 Cable connection

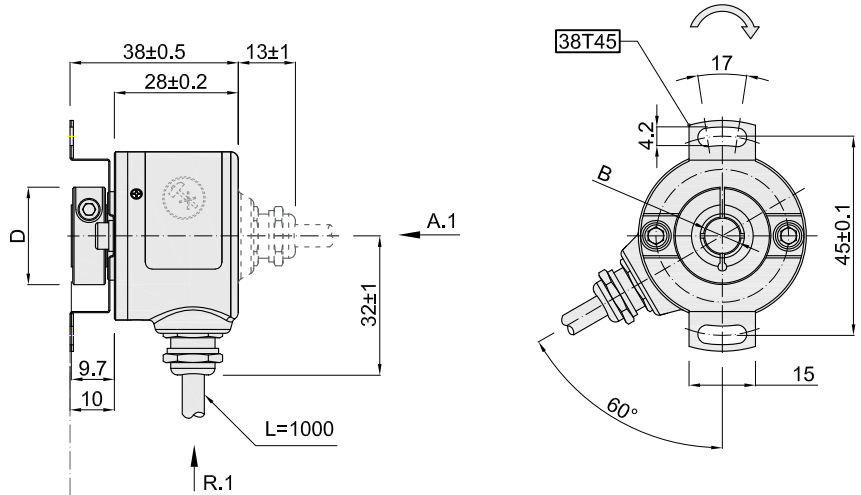


Unit: mm

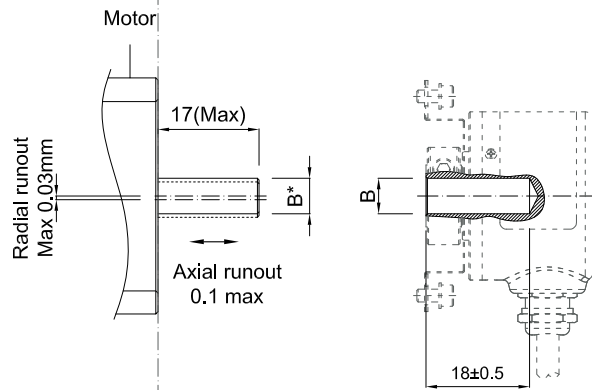
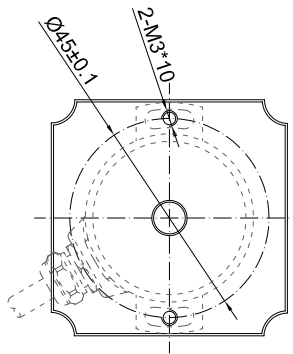
8. Basic Dimensions

8.1 Dimensions

B(Blind shaft)	Q(Through shaft)	D
$\varnothing 5^{G7}_{+0.016/+0.004}$	-	$\varnothing 20$
$\varnothing 6^{G7}_{+0.020/+0.005}$	$\varnothing 6^{G7}_{+0.020/+0.005}$	$\varnothing 20$
$\varnothing 6.35^{G7}_{+0.020/+0.005}$	$\varnothing 6.35^{G7}_{+0.020/+0.005}$	$\varnothing 20$
$\varnothing 8^{G7}_{+0.020/+0.005}$	-	$\varnothing 22$



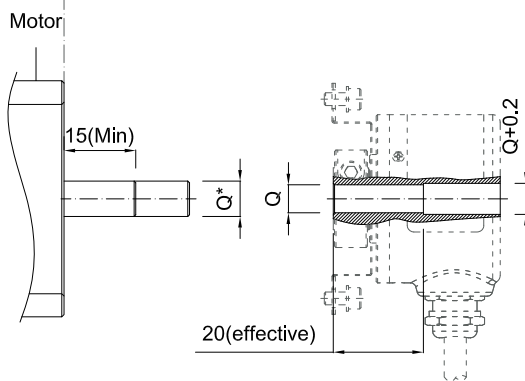
8.2 Mounting shaft requirements



B(Blind shaft)	B*
$\varnothing 5^{G7}_{+0.016/+0.004}$	$\varnothing 5_{g5}^{(-0.004)}$
$\varnothing 6^{G7}_{+0.020/+0.005}$	$\varnothing 6_{g5}^{(-0.005)}$
$\varnothing 6.35^{G7}_{+0.020/+0.005}$	$\varnothing 6.35_{g5}^{(-0.005)}$
$\varnothing 8^{G7}_{+0.020/+0.005}$	$\varnothing 8_{g5}^{(-0.005)}$

B* Motor shaft diameter tolerance

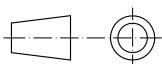
Mounting screws
Inner hexagon bolt +flat washer
Specification: M3*6
Material: stainless steel
Quantity: 2



Q(Through shaft)	Q*
$\varnothing 6^{G7}_{+0.020/+0.005}$	$\varnothing 6_{g5}^{(-0.005)}$
$\varnothing 6.35^{G7}_{+0.020/+0.005}$	$\varnothing 6.35_{g5}^{(-0.005)}$

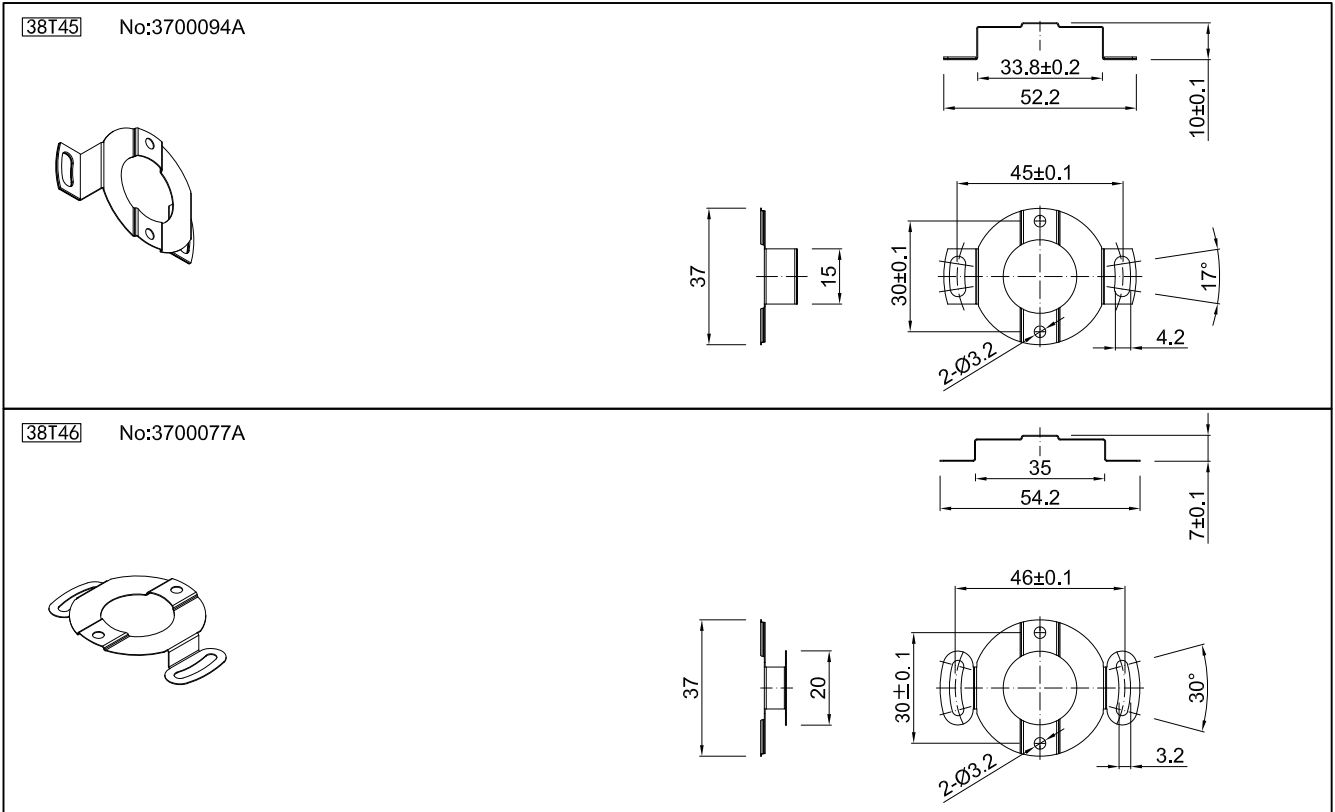
Q* Motor shaft diameter tolerance

Unit: mm



- = Shaft rotation direction of the signal output
- R.1 = Radial cable(standard length 1M)
- A.1 = Axial cable (standard length 1M, no through shaft option)
- 38T45** = Mounting spring plate model

9. Accessories(Spring plate options)



About vibration

Vibration act on encoder always cause wrong pulse, so we should pay attention to working place. More pulse per revolution, narrower groovy spacing of grating, more effect to encoder by vibration, when rev is low or stop, vibration act on shaft or main body would cause grating vibrating, so encoder might make wrong pulse.